

# **ZEETORK**

— the Automation & Controls Expert —

## **ZREQM Series**

Compact Quarter-turn - Electric Actuator



## Product Introduction

The Model ZREQM electric actuator represents a next-generation offering from the company. This product enhances operational reliability by utilizing multiple power supply modes. Constructed from aluminum alloy, its casing is lightweight while ensuring robust compressive strength and the safety of its internal electrical controls.

The actuator features a closed seal design that has achieved IP67 certification, along with standard moisture-proof resistance. The flameproof rating for this product is classified as Ex dIIBT4~T6 or Ex dIICT4-T6.

These products find extensive applications across various sectors, including metallurgy, petroleum, chemical manufacturing, power generation, dyeing processes, water treatment, shipbuilding, paper production, food processing, pharmaceuticals, and building automation systems.



## Standard Parameters

<b>Shell</b>	Protection class IP67 Nema 4 and 6 optical:IP68
<b>Ambient temperature</b>	-25°C to +70°C
<b>Ambient humidity</b>	<90 % RH
<b>Power supply</b>	Single phase:24V,110V,220V,230V,240V 50/60Hz Three-phase:220V,380V,415V,440V 50/60Hz DC: 24VDC
<b>Torque switch</b>	ON/OFF,SPDT 250V AC 10A (except ZREQM - 06, ZREQM - 10)
<b>Limit switch</b>	ON/OFF, SPDT 250V AC 10A
<b>Motor overheat protection</b>	Built-in thermal protector 120°C±5°C
<b>Stroke</b>	90°±5°(0°~270°optical)
<b>Indicator</b>	360°visual indication (flameproof type : connection location indication)
<b>Manual operation</b>	Model : ZREQM - 06~ZREQM - 60 manual/automatic clutch
	Model : ZREQM - 80~ ZREQM - 200 no clutch
<b>Self-lock device</b>	Worm-and-wheel gear provided
<b>Mechanical limit</b>	External adjustable bolt
<b>Dryer</b>	Aluminum alloy moistureproof resistor (anti condensation)
<b>Terminal hole</b>	Standard:2-NPT3/4"
	Customized for:M20~M25,PG13.5,PG16,PT3/4",PF3/4"
<b>Grease</b>	MoS2 grease(Model EP)
<b>Main materials</b>	Aluminum,steel,aluminum blue steel,35CrMo or so
<b>External coating</b>	Epoxy polyester powder coating
<b>Seismic resistance</b>	Directions: X,Z,Y; Maximum acceleration:12g; Frequency sweep:10-55Hz; Vibration amplitude:0.15mm; Time:30minutes
<b>Type</b>	Remark : AC380V has no normal regulation Note: K3: precision potentiometer (resistance output); K4: switch type output 4-20mA; K5: bus Modbus-RTU type (single card/dual card); K6: bus Modbus-TCP/IP type (single card/dual card); K7: bus Profibus-DP type (single card/dual card); K8: bus Hart type; K9: bus FF type... (bus single card K5-1 or dual card means K5-2) price is additional All series starting from 160Nm are equipped with mechanical torque control

## Technical Parameters

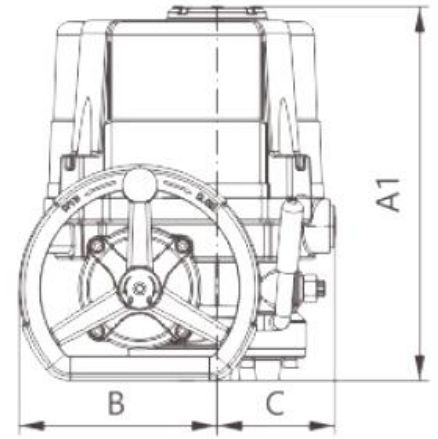
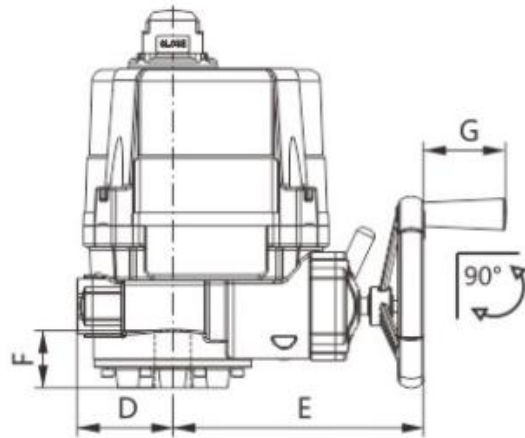
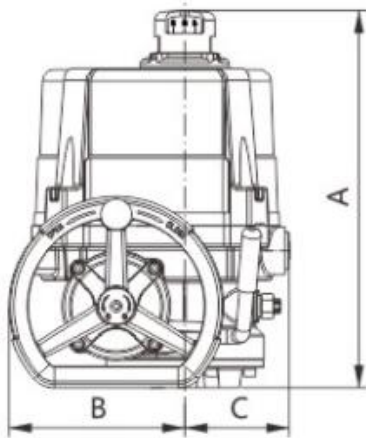
Model No.	Output Torque		Switching Time (90/sec)			Protecti on class	Motor		Duty Cycle (CSA)	Max Shaft Diameter (mm)		Installation Dimension	Hand-wheel Turns	Weight
	N.m	Kg.m	50Hz	60Hz	DC24V	IP	Power rate (W)	Insulation Class	S4(%)	Round hole	Squaring Center	ISO 5211		Kg
ZREQM – 06	60	6	27	23	21	67/68	20	F	50	20	17	F05/F07	10	6.9
ZREQM – 10	100	10	27	23	21	67/68	20	F	50	20	17	F05/F07	10	6.9
ZREQM – 16	160	16	28	24	22	67/68	40	F	50	28	22	F07/F10	12	16.4
ZREQM – 20	200	20	28	24	22	67/68	40	F	50	28	22	F07/F10	12	16.4
ZREQM – 30	300	30	32	27	25	67/68	60	F	50	28	22	F10/F12	14	20.5
ZREQM – 50	500	50	32	27	25	67/68	90	F	30	28	22	F10/F12	14	20.5
ZREQM – 60	600	60	32	27	25	67/68	120	F	25	28	22	F10/F12	14	20.5
ZREQM – 80	800	80	38	33	29	67/68	120	F	25	36	27	F10/F12 /F14	14.2	33.4
ZREQM – 100	1000	100	43	37	33	67/68	120	F	25	36	27	F10/F12 /F14	14.2	33.4
ZREQM – 130	1300	130	49	42	37	67/68	120	F	25	36	27	F10/F12 /F14	14.2	33.4
ZREQM – 170	1700	170	34	28	26	67/68	200	F	25	45	36	F12/F14 /F16	16	44
ZREQM – 200	2000	200	47	39	36	67/68	200	F	25	45	36	F12/F14 /F16	16	44
ZREQM – 230	2300	230	47	39	36	67/68	200	F	25	45	36	F12/F14 /F16	16	44
ZREQM – 350	3500	350	78	67	60	67/68	200	F	25	72	46	F14/F16	37	80
ZREQM – 500	5000	500	108	92	82	67/68	200	F	-	72	46	F14/F16	37	80
ZREQM – 800	8000	800	142	118	107	67/68	200	F	-	80	55	F16/F25	48	107
ZREQM – 1300	13000	1300	102	86	—	67/68	900	F	-	95	75	F25/F30	132	250
ZREQM – 1600	16000	1600	120	102	—	67/68	900	F	-	95	75	F25/F30	132	250
ZREQM – 2000	20000	2000	147	123	—	67/68	900	F	-	95	75	F25/F30	132	250

# Rated / Starting Current

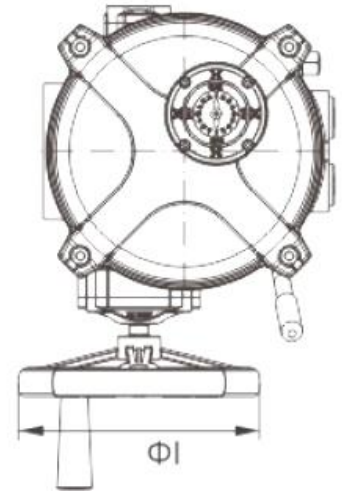
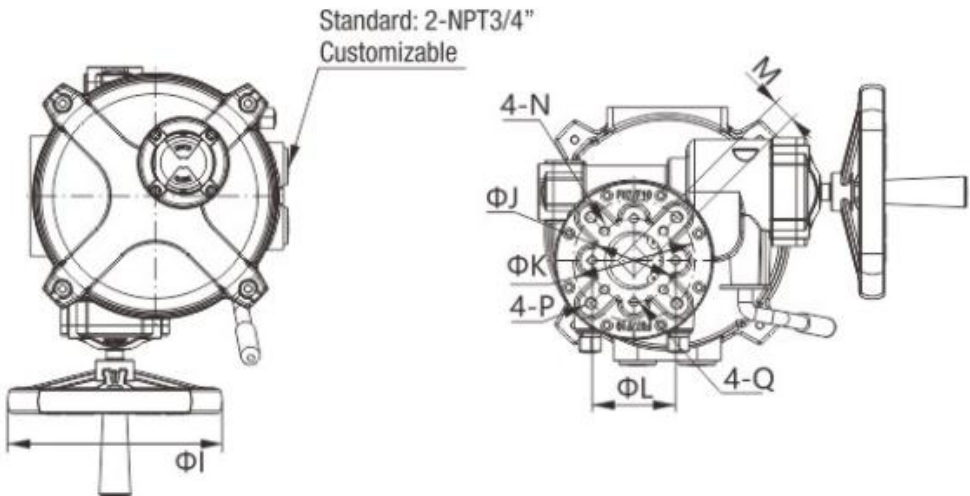
Model	AC24V 50Hz		AC24V 60Hz		AC110V 50Hz		AC110V 60Hz		AC220V 50Hz		AC220V 60Hz		AC380V 50Hz		AC380V 60Hz		AC440V 50Hz		AC440V 60Hz		DC24V	
	Rated (A)	Starting (A)	Rated (A)	Starting (A)	Rated (A)	Starting (A)	Rated (A)	Starting (A)	Rated (A)	Starting (A)	Rated (A)	Starting (A)	Rated (A)	Starting (A)	Rated (A)	Starting (A)	Rated (A)	Starting (A)	Rated (A)	Starting (A)	Rated (A)	Starting (A)
ZREQM - 06	4.2	6.6	5.1	7	1.1	1.52	1.3	1.65	0.52	0.73	0.64	0.78	0.18	0.35	0.15	0.32	0.15	0.3	0.12	0.26	2.53	7.78
ZREQM - 10	4.2	6.6	5.1	7	1.1	1.52	1.3	1.65	0.52	0.73	0.64	0.78	0.18	0.35	0.15	0.32	0.15	0.3	0.12	0.26	2.53	7.78
ZREQM - 16	5.5	7.1	7	8.1	1.4	1.8	1.8	1.9	0.72	0.9	0.92	1	0.28	0.68	0.24	0.63	0.25	0.52	0.21	0.5	4.2	11
ZREQM - 20	5.5	7.1	7	8.1	1.4	1.8	1.8	1.9	0.72	0.9	0.92	1	0.28	0.68	0.24	0.63	0.25	0.52	0.21	0.5	4.2	11
ZREQM - 30	9.2	17.8	11.2	17.7	2.5	4.4	2.4	4.5	1.42	2.5	1.4	2.31	0.38	1.1	0.32	0.92	0.28	0.75	0.25	0.7	5.7	26
ZREQM - 50	9.2	17.8	11.2	17.7	2.4	4.2	3.2	4.3	1.38	2.3	1.65	2.2	0.41	1.16	0.37	1.1	0.3	0.9	0.27	0.85	7.3	23
ZREQM - 60	2.8	25	13.5	24.1	3.1	6	3.5	5.8	1.75	3.3	1.92	3.1	0.41	1.16	0.37	1.1	0.3	0.9	0.27	0.85	7.3	23
ZREQM - 80	12.8	25	13.5	24.1	3.1	6	3.5	5.8	1.75	3.3	1.92	3.1	0.41	1.16	0.37	1.1	0.3	0.9	0.27	0.85	7.3	23
ZREQM - 100	12.8	25	13.5	24.1	3.1	6	3.5	5.8	1.75	3.3	1.92	3.1	0.41	1.16	0.37	1.1	0.3	0.9	0.27	0.85	7.3	23
ZREQM - 130	12.8	25	13.5	24.1	3.1	6	3.5	5.8	1.75	3.3	1.92	3.1	0.41	1.16	0.37	1.1	0.3	0.9	0.27	0.85	7.3	23
ZREQM - 170	12.5	26.6	14.6	25.4	3.3	7	3.8	6.7	1.52	3.54	1.94	3.3	0.8	2.3	0.72	2.1	0.62	1.9	0.6	1.8	17	55
ZREQM - 200	12.5	26.6	14.6	25.4	3.3	7	3.8	6.7	1.52	3.54	1.94	3.3	0.8	2.3	0.72	2.1	0.62	1.9	0.6	1.8	7	55
ZREQM - 230	12.5	26.6	14.6	25.4	3.3	7	3.8	6.7	1.52	3.54	1.94	3.3	0.8	2.3	0.72	2.1	0.62	1.9	0.6	1.8	17	55
ZREQM - 350	12.5	26.6	14.6	25.4	3.3	7	3.8	6.7	1.52	3.54	1.94	3.3	0.8	2.3	0.72	2.1	0.62	1.9	0.6	1.8	17	55
ZREQM - 500	12.5	26.6	14.6	25.4	3.3	7	3.8	6.7	1.52	3.54	1.94	3.3	0.8	2.3	0.72	2.1	0.62	1.9	0.6	1.8	17	55
ZREQM - 800	12.5	26.6	14.6	25.4	3.3	7	3.8	6.7	1.52	3.54	1.94	3.3	0.8	2.3	0.72	2.1	0.62	1.9	0.6	1.8	17	55
ZREQM - 1300	-	-	-	-	-	-	-	-	-	-	-	-	2.6	5.4	1.7	5.73	-	-	-	-	-	-
ZREQM - 1600	-	-	-	-	-	-	-	-	-	-	-	-	2.6	5.4	1.7	5.73	-	-	-	-	-	-
ZREQM - 2000	-	-	-	-	-	-	-	-	-	-	-	-	2.6	5.4	1.7	5.73	-	-	-	-	-	-

**Basic Type** ZREQM – 06 ~ ZREQM 60

**Basic Type Explosive Proof** ZREQM – 06 ~ ZREQM 60

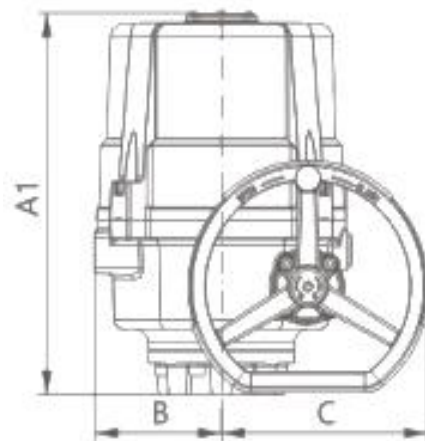
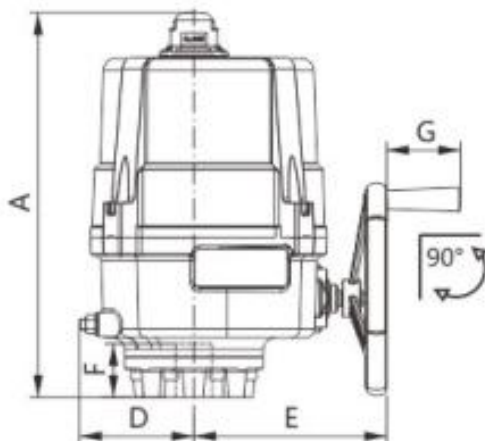
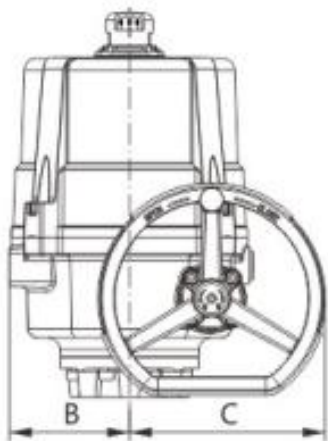


**Explosive Proof**

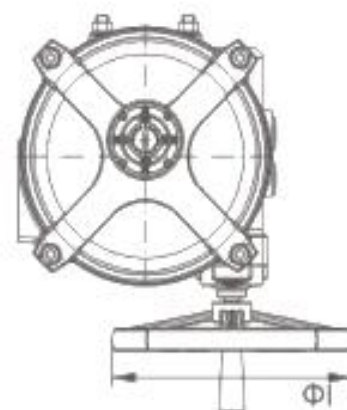
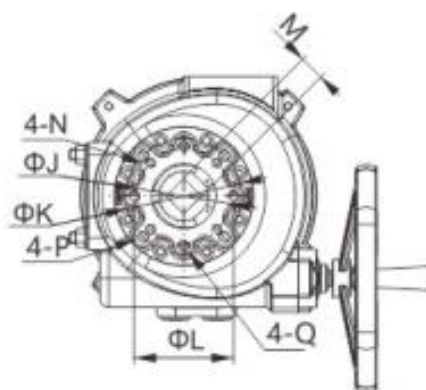
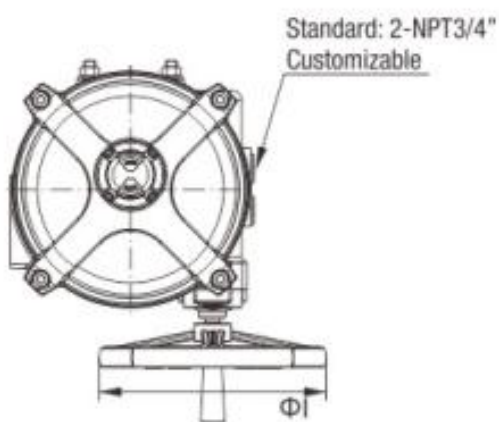


Model No.	A	B	C	D	E	F	G	φi	φJ	4-N	φK	4-P	φL	4-Q	M	A1
ZREQM - 06	280	92	77	47	171	40	50	100	50	4-M6	70	4-M8	57.2	4-M6	9/11/14/17	240
ZREQM - 10	280	92	77	47	171	40	50	100	50	4-M6	70	4-M8	57.2	4-M6	9/11/14/17	240
ZREQM - 16	316	147	90	78	208	48	63	180	70	4-M8	102	4-M10	69.9	4-M8	11/14/17/22	276
ZREQM - 20	316	147	90	78	208	48	63	180	70	4-M8	102	4-M10	69.9	4-M8	11/14/17/22	276
ZREQM - 30	341	152	98	81	218	52	63	180	102	4-M10	125	4-M12	88.9	4-M12	14/17/22	301
ZREQM - 50	341	152	98	81	218	52	63	180	102	4-M10	125	4-M12	88.9	4-M12	14/17/22	301
ZREQM - 60	341	152	98	81	218	52	63	180	102	4-M10	125	4-M12	88.9	4-M12	14/17/22	301

**Basic Type** ZREQM – 80 ~ ZREQM 230  
**Basic Type Explosive Proof** ZREQM – 80 ~ ZREQM 230

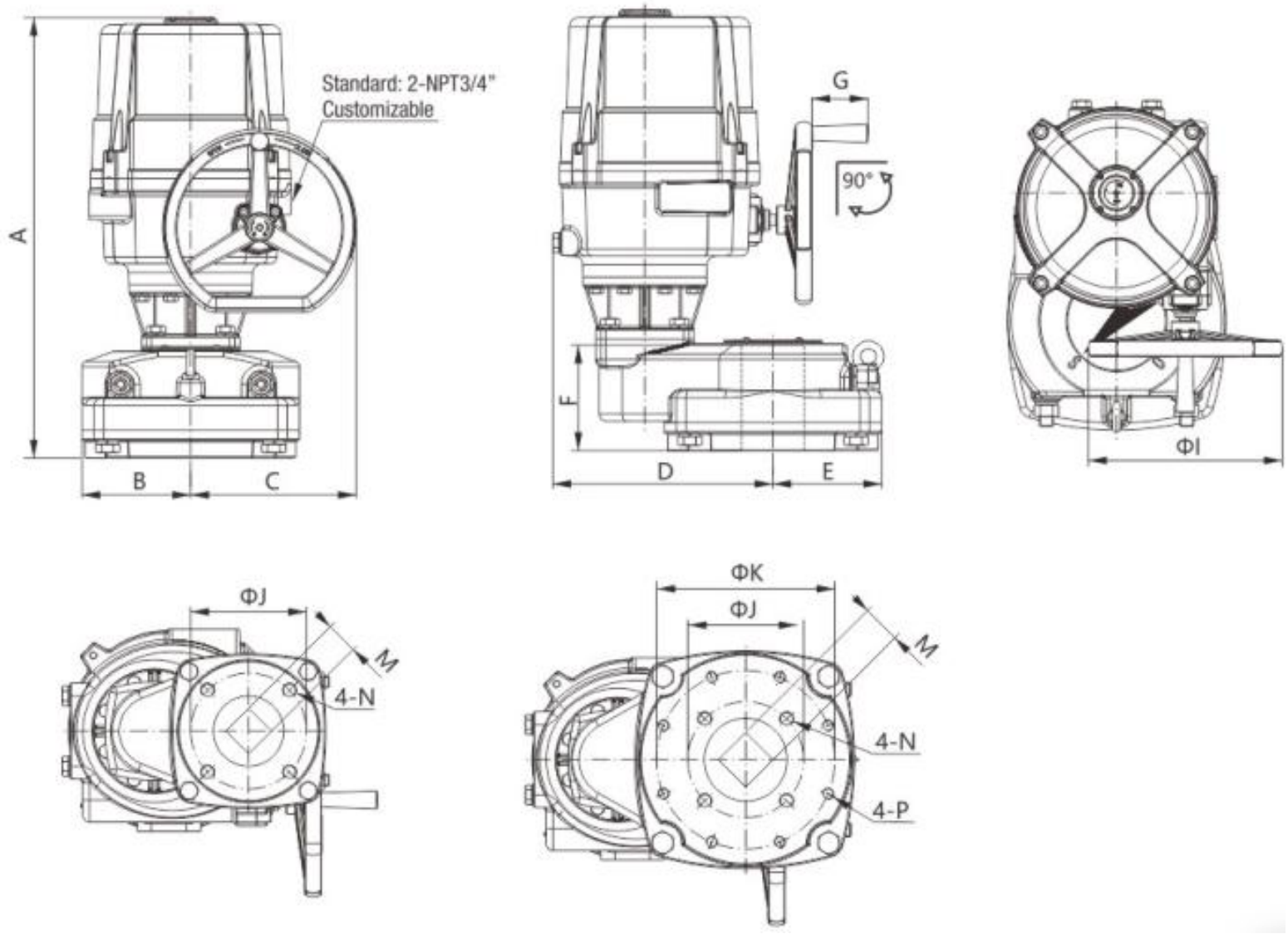


**Explosive Proof**



Model No.	A	B	c	D	E	F	G	ΦI	ΦJ	4-N	ΦK	4-P	ΦL	4-Q	4-Q	M	A1
ZREQM – 80	415	130	212	128	208	58	80	250	102	4-M10	125	4-M12	107.95	4-M12	F14	17/22/27	375
ZREQM-100	415	130	212	128	208	58	80	250	102	4-M10	125	4-M12	7.95	4-M12	Ex-factory optional	17/22/27	375
ZREQM-130	415	130	212	128	208	58	80	250	102	4-M10	125	4-M12	107.95	4-M12		17/22/27	375
ZREQM-170	458	145	236	146	236	66	80	280								22/27/36	418
ZREQM-200	458	145	236	146	236	66	80	280								22/27/36	418
ZREQM-230	458	145	236	146	236	66	80	280								22/27/36	418

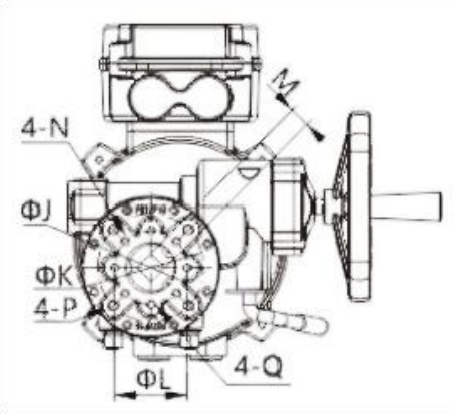
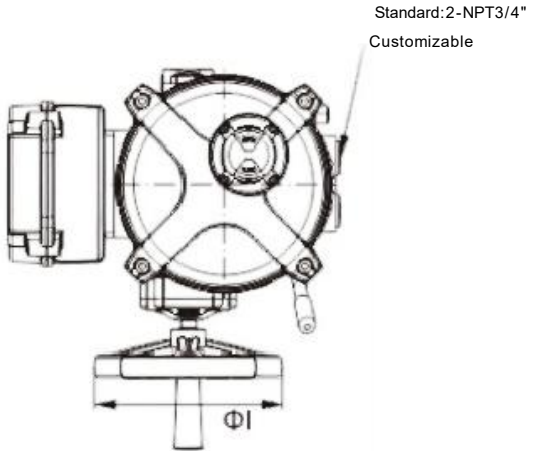
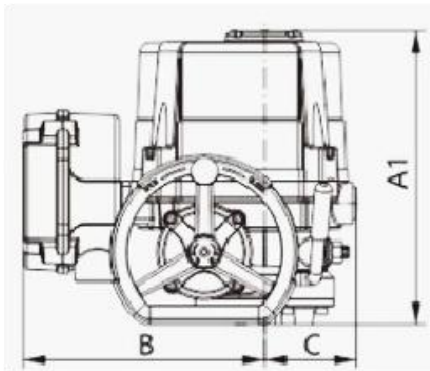
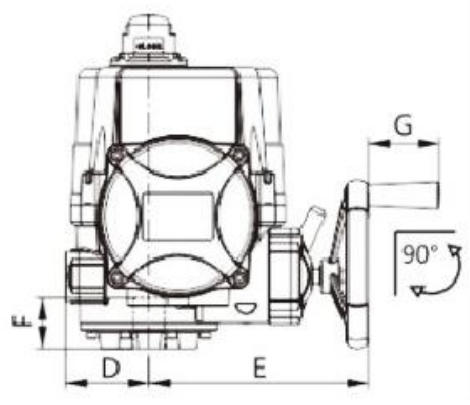
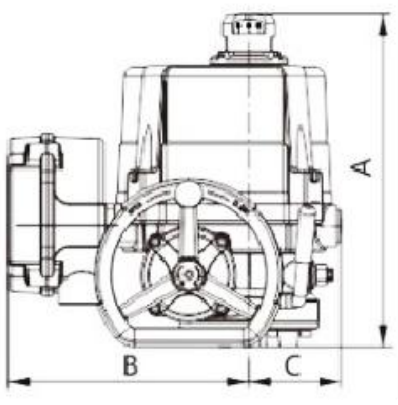
**Basic Type** ZREQM – 350 ~ ZREQM 800  
**Basic Type Explosive Proof** ZREQM – 350 ~ ZREQM 800



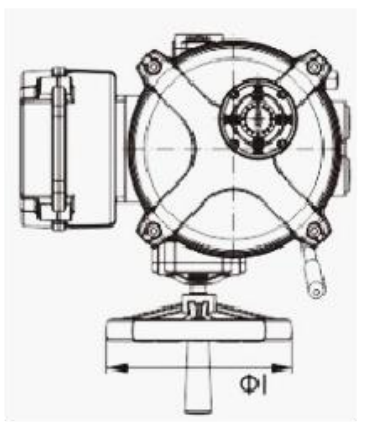
Model No.	A	B	C	D	E	F	G	$\phi I$	$\phi J$	4-N	$\phi K$	4-P	M
ZREQM-350	620	145	236	267	110	145	80	280	160	4-M20	F14		36/46
ZREQM-500	620	145	236	267	110	145	80	280	160	4-M20	Ex-factory Optional		36/46
ZREQM-800	627	155	236	315	155	150	80	280	160	4-M20	254	8-M16	46/55

**Regulating Type ZREQM – 06 ~ ZREQM 60**

**Regulating Type Explosive Proof ZREQM – 06 ~ ZREQM 60**

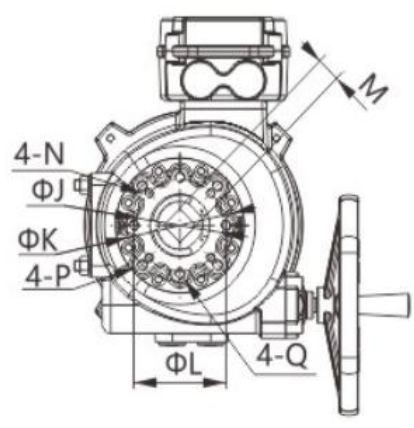
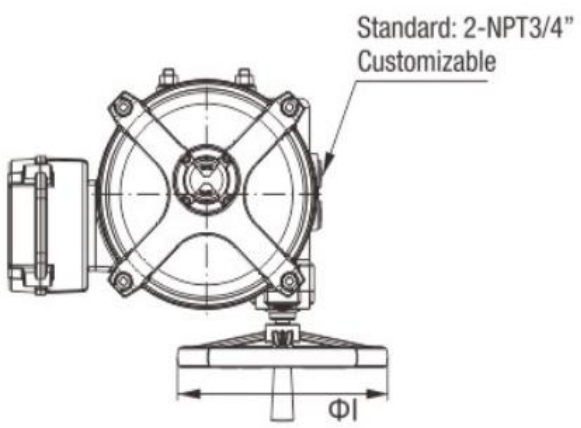
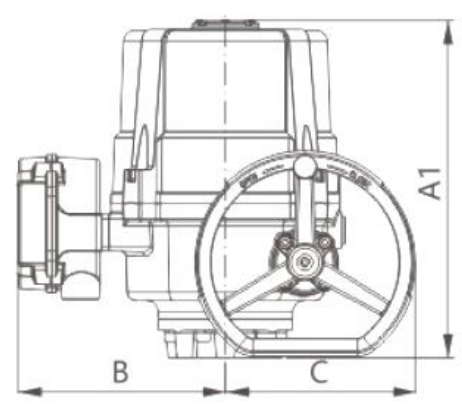
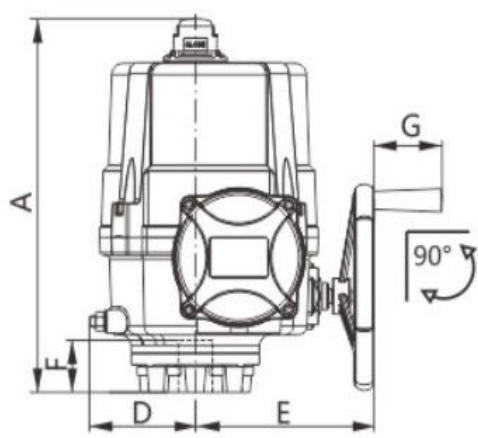
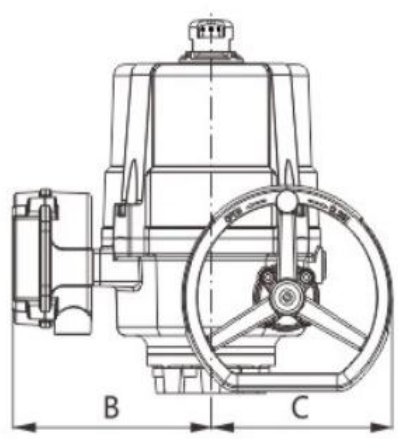


**Explosive Proof**

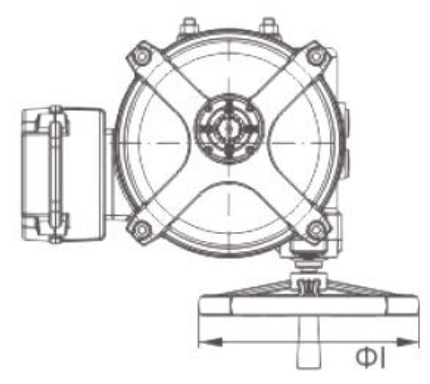


Model No.	A	B	C	D	E	F	G	ΦI	ΦJ	4-N	ΦK	4-P	ΦL	4-Q	M	A1
ZREQM - 06	280	189	77	47	171	40	50	100	50	4-M6	70	4-M8	57.2	4-M6	9/11/14/17	240
ZREQM - 10	280	189	77	47	171	40	50	100	50	4-M6	70	4-M8	57.2	4-M6	9/11/14/17	240
ZREQM - 16	316	225	90	78	208	48	63	180	70	4-M8	2	4-M10	69.9	4-M8	11/14/17/22	276
ZREQM - 20	316	225	90	78	208	48	63	180	70	4-M8	102	4-M10	69.9	4-M8	11/14/17/22	276
ZREQM - 30	341	235	98	81	218	52	63	180	102	4-M10	125	4-M12	88.9	4-M12	14/17/22	301
ZREQM - 50	341	235	98	81	218	52	63	180	102	4-M10	125	4-M12	88.9	4-M12	14/17/22	301
ZREQM - 60	341	235	98	81	218	52	63	180	102	4-M10	125	4-M12	88.9	4-M12	14/17/22	301

**Regulating Type** ZREQM – 80 ~ ZREQM 230  
**Regulating Type Explosive Proof** ZREQM – 80 ~ ZREQM 230



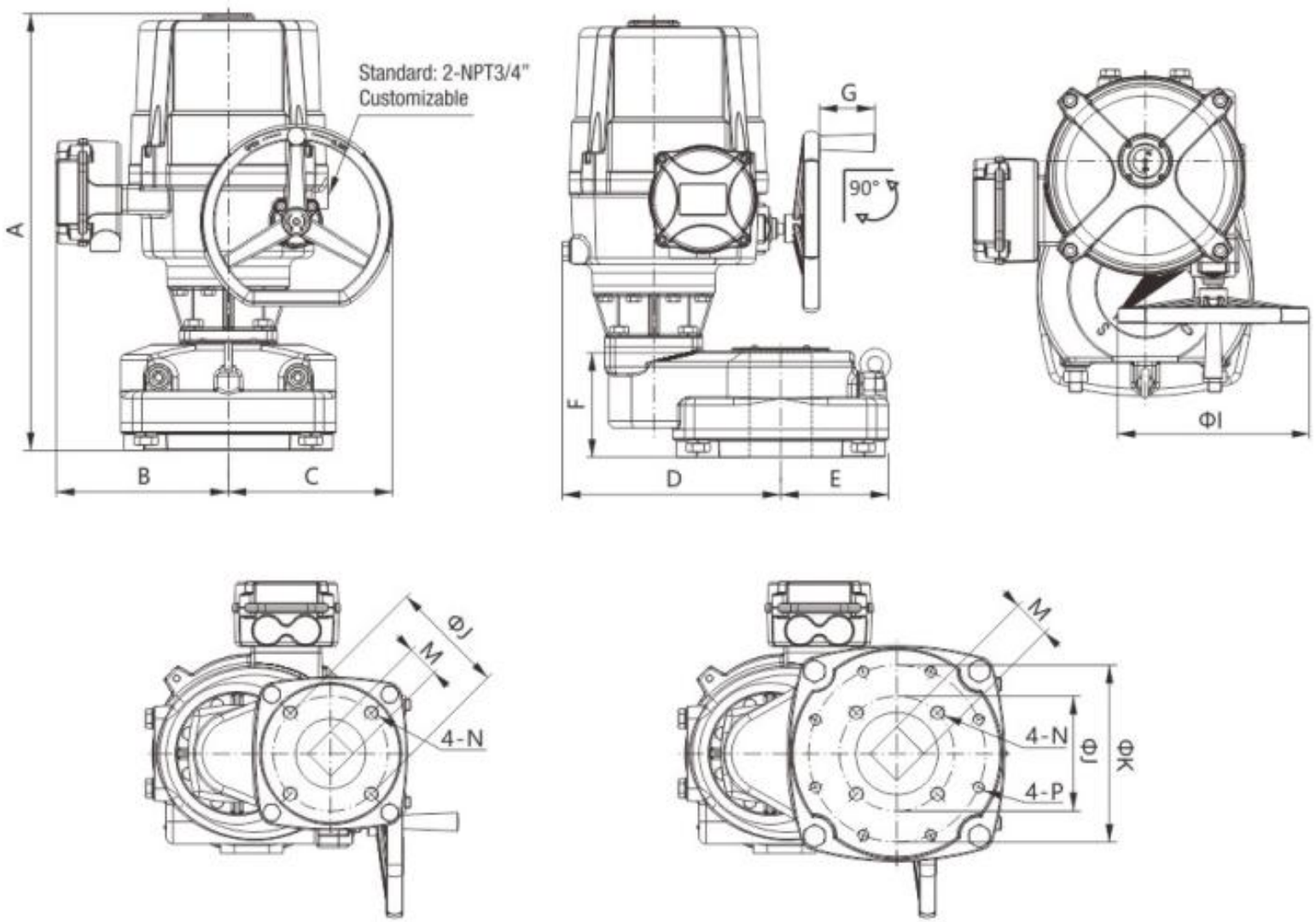
**Explosive Proof**



Model No.	A	B	C	D	E	F	G	ΦI	ΦJ	4-N	ΦK	4-P	ΦL	4-Q	4-Q	M	A1	
ZREQM - 80	415	227	212	128	208	58	80	250	102	4-M10	125	4-M12	108	4-M12	F14	17/22/27	375	
ZREQM - 100	415	227	212	128	208	58	80	250	102	4-M10	125	4-M12	108	4-M12	Ex-factory optional	17/22/27	375	
ZREQM - 130	415	227	212	128	208	58	80	250	102	4-M10	125	4-M12	108	4-M12		17/22/27	375	
ZREQM - 170	458	242	236	146	236	66	80	280								22/27/36	418	
ZREQM - 200	458	242	236	146	236	66	80	280								F12(Φ125/4-M12) F14(Φ140/4-M16) F16(Φ165/4-M20)	22/27/36	418
ZREQM - 230	458	242	236	146	236	66	80	280									22/27/36	418

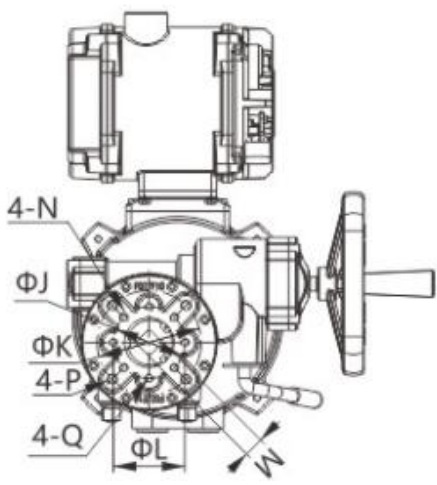
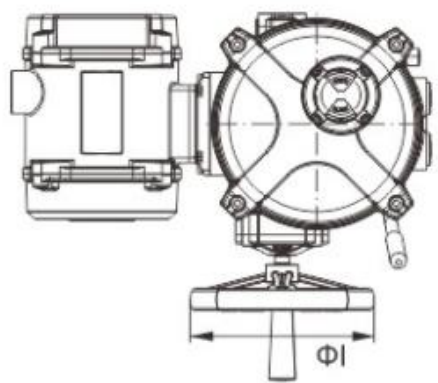
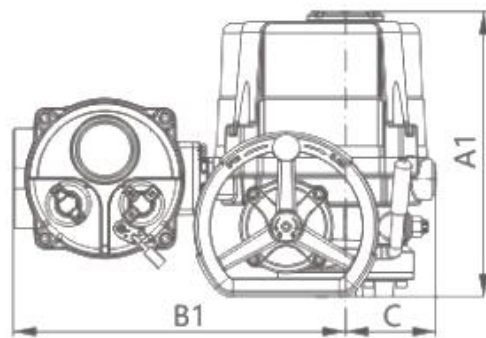
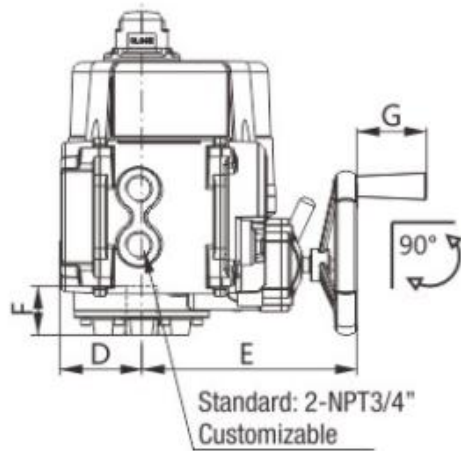
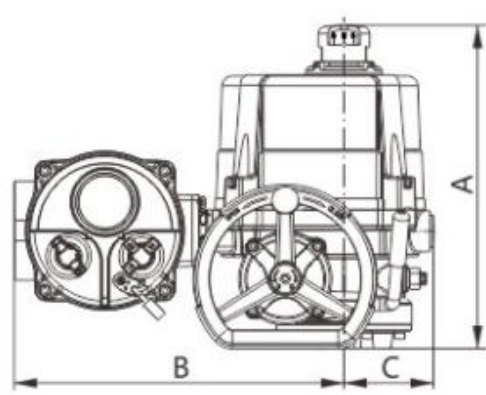
**Regulating Type ZREQM – 350 ~ ZREQM 800**

**Regulating Type Explosive Proof ZREQM – 350 ~ ZREQM 800**

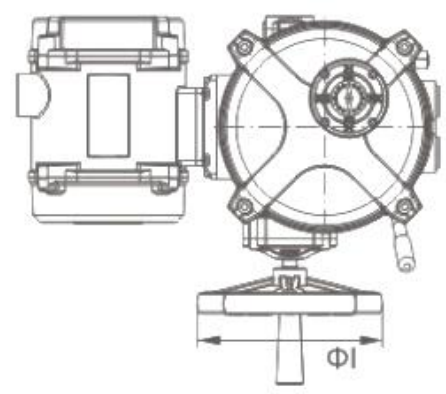


Model.no	A	B	C	D	E	F	G	φI	φJ	4-N	φK	4-P	M
ZREQM - 350	620	242	236	267	110	145	80	280	160	4-M20	F14 Ex-Factory optional		36/46
ZREQM - 500	620	242	236	267	110	145	80	280	160	4-M20			36/46
ZREQM - 800	620	242	236	315	155	150	80	280	160	4-M20	254	8-M16	46/55

**Non-penetrating Intelligent all-in-one type ZREQM – 06 ~ ZREQM 60**  
**Non-penetrating Intelligent all-in-one type Explosive Proof ZREQM – 06 ~ ZREQM 60**

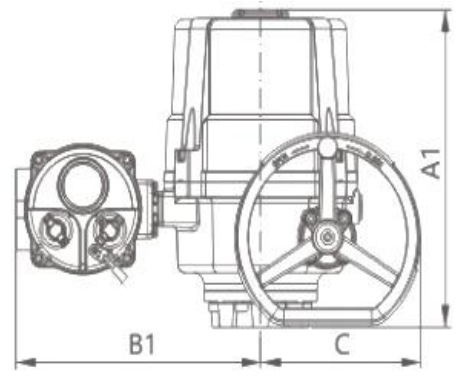
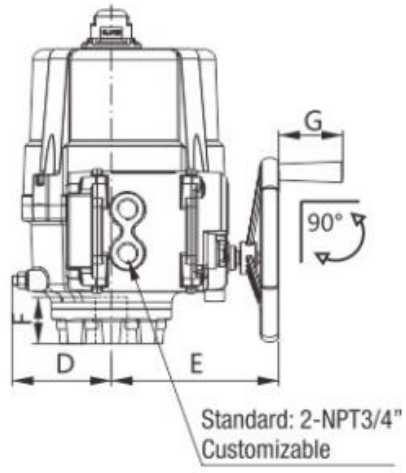
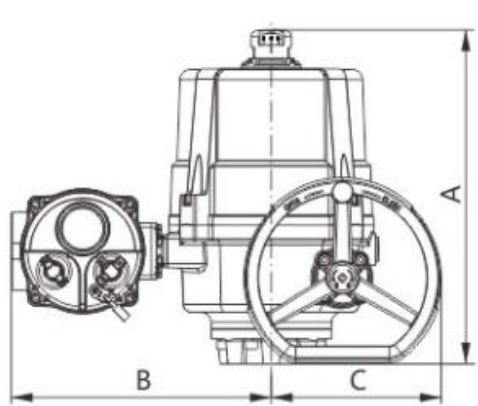


**Explosive Proof**

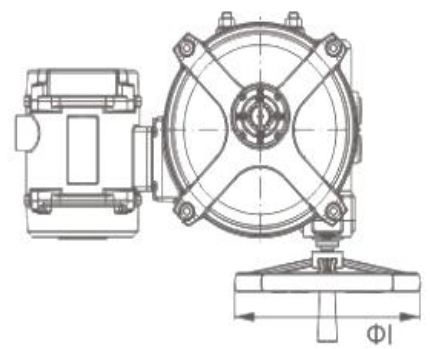
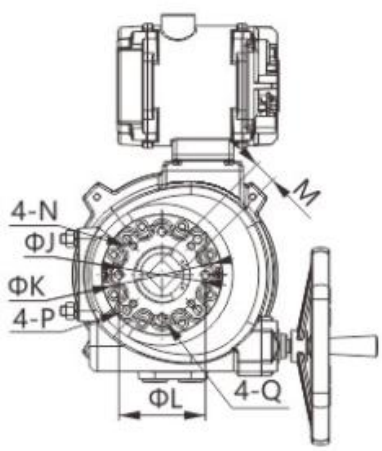
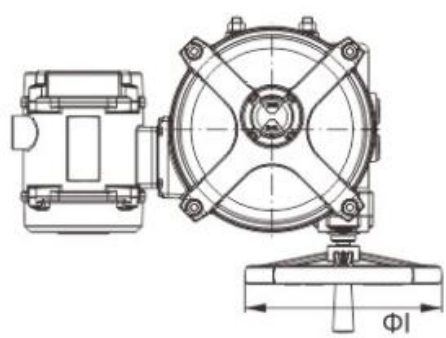


Model No.	A	B	C	D	E	F	G	φi	φJ	4-N	φK	4-P	φL	4-Q	M	A1	B1
ZREQM - 06	280	279	77	73	171	40	50	100	50	4-M6	70	4-M8	57.2	4-M6	9/11/14/17	240	292
ZREQM - 10	280	279	77	73	171	40	50	100	50	4-M6	70	4-M8	57.2	4-M6	9/11/14/17	240	292
ZREQM - 16	316	315	90	78	208	48	63	180	70	4-M8	102	4-M10	69.9	4-M8	11/14/17/22	276	328
ZREQM - 20	316	315	90	78	208	48	63	180	70	4-M8	102	4-M10	69.9	4-M8	11/14/17/22	276	328
ZREQM - 30	341	325	98	81	218	52	63	180	102	4-M10	125	4-M12	88.9	4-M12	14/17/22	301	338
ZREQM - 50	341	325	98	81	218	52	63	180	102	4-M10	125	4-M12	88.9	4-M12	14/17/22	301	338
ZREQM - 60	341	325	98	81	218	52	63	180	102	4-M10	125	4-M12	88.9	4-M12	14/17/22	301	338

**Non-penetrating Intelligent all-in-one type ZREQM – 80 ~ ZREQM 230**  
**Non-penetrating Intelligent all-in-one type Explosive Proof ZREQM – 80 ~ ZREQM 230**

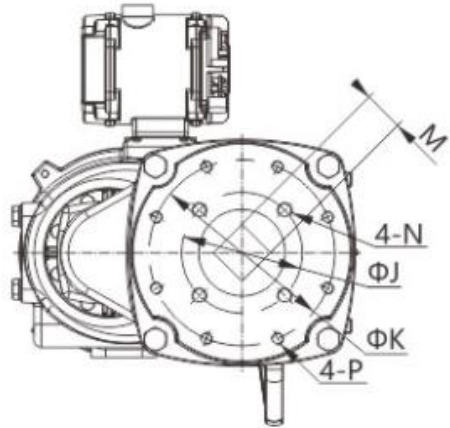
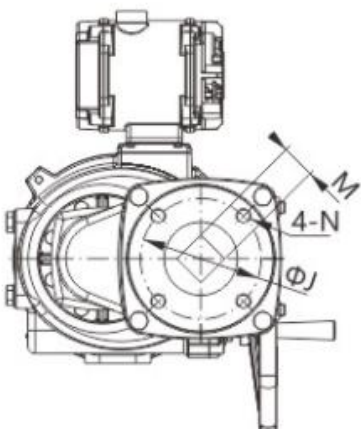
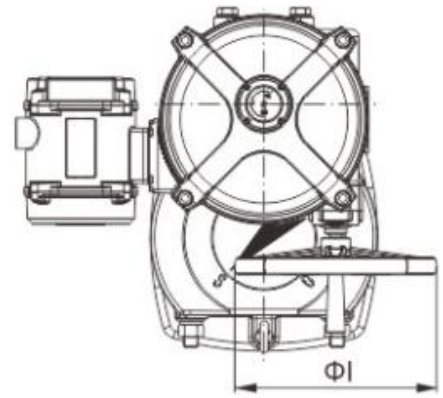
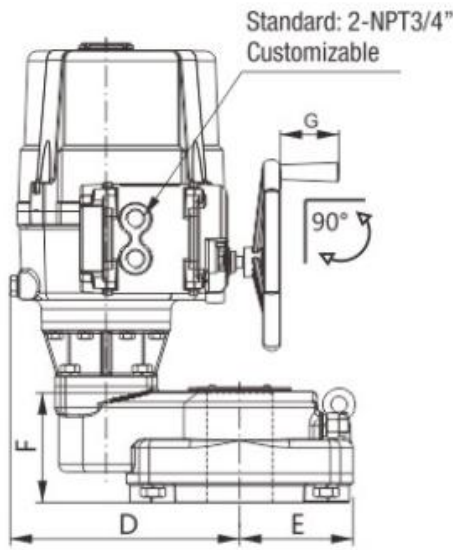
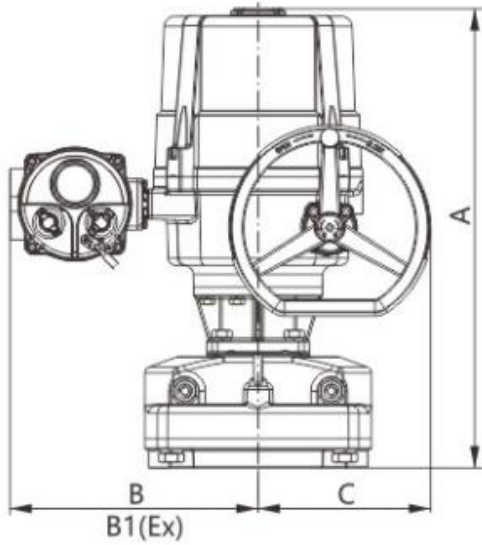


**Explosive Proof**



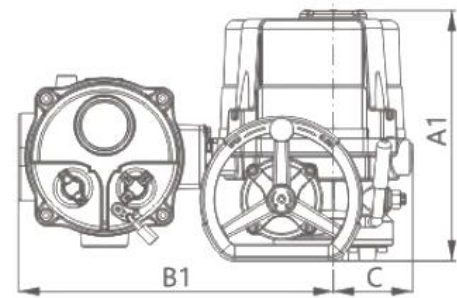
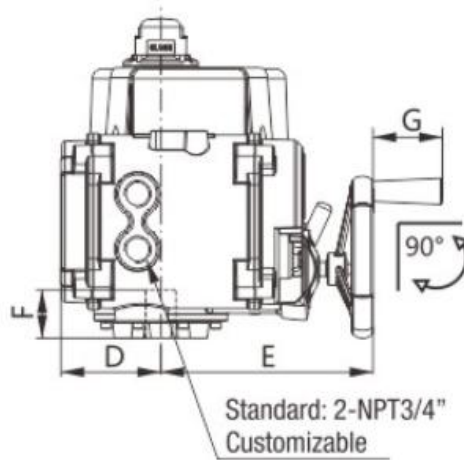
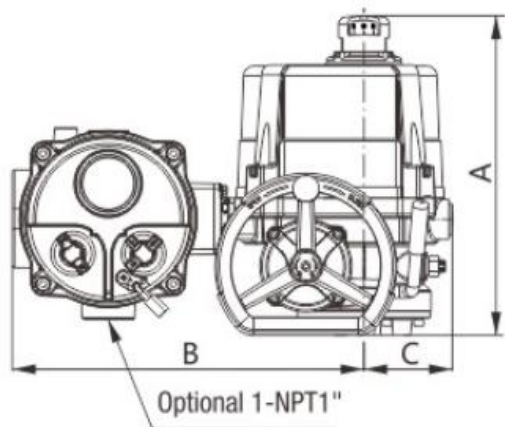
Model No	A	B	c	D	E	F	G	phi i	phi J	4-N	phi K	4-P	phi L	4-Q	4-Q	M	A1	B1
ZREQM-80	415	317	212	128	208	58	80	250	102	4-M10	125	4-M12	108	4-M12	F14	17/22/27	375	330
ZREQM-100	415	317	212	128	208	58	80	250	102	4-M10	125	4-M12	108	4-M12	Ex-factory optional	17/22/27	375	330
ZREQM-130	415	317	212	128	208	58	80	250	102	4-M10	125	4-M12	108	4-M12		17/22/27	375	330
ZREQM-170	458	332	236	146	236	66	80	280								22/27/36	418	345
ZREQM-200	458	332	236	146	236	66	80	280								22/27/36	418	345
ZREQM-230	458	332	236	146	236	66	80	280								22/27/36	418	345

**Non-penetrating Intelligent all-in-one type ZREQM – 350 ~ ZREQM 800**  
**Non-penetrating Intelligent all-in-one type Explosive Proof ZREQM – 350 ~ ZREQM 800**

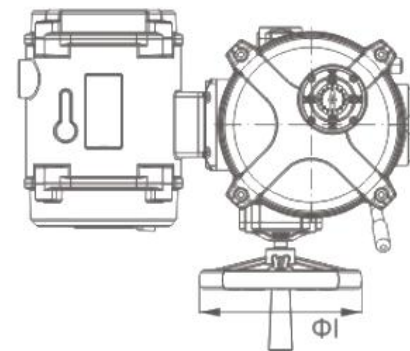
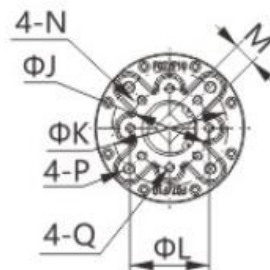
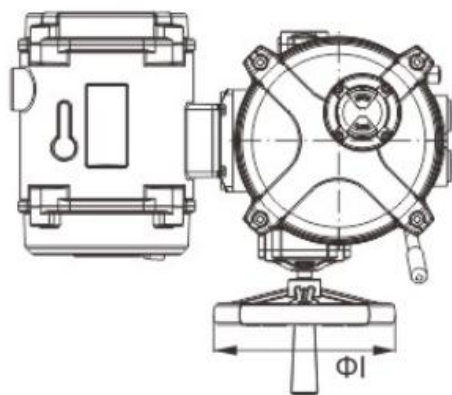


Model No.	A	B	c	D	E	F	G	ΦI	ΦJ	4-N	ΦK	4-P	M	B1
ZREQM - 350	620	332	236	267	110	145	80	280	160	4-M20	F14		36/46	345
ZREQM - 500	620	332	236	267	110	145	80	280	160	4-M20	Ex-factory optional		36/46	345
ZREQM - 800	627	332	236	315	155	150	80	280	160	4-M20	254	8-M16	46/55	345

**Super Intelligent type ZREQM – 06 ~ ZREQM 60**  
**Super Intelligent type Explosive Proof ZREQM – 06 ~ ZREQM 60**

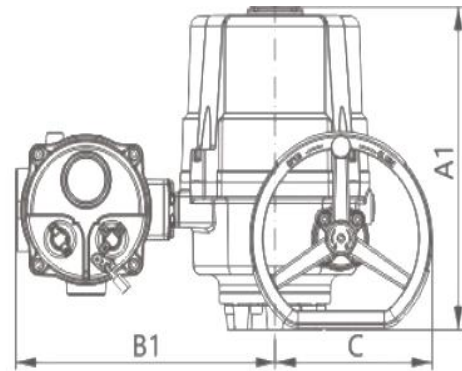
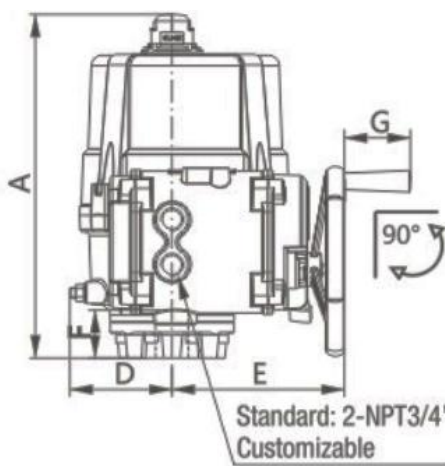
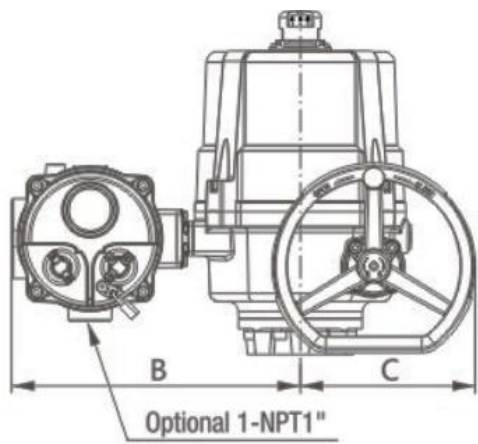


**Explosive Proof**

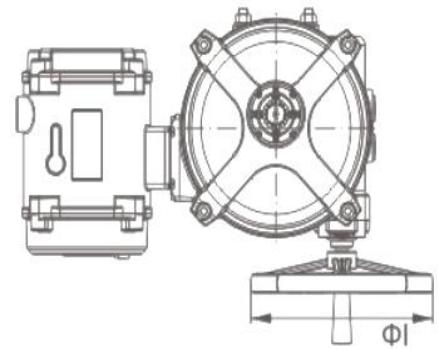
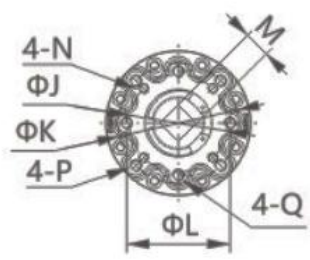
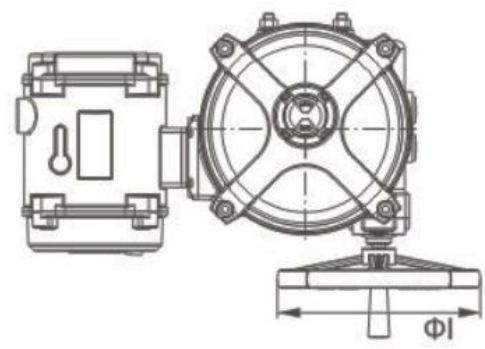


Model No.	A	B	C	D	E	F	G	$\phi i$	$\phi J$	4-N	$\phi K$	4-P	$\phi L$	4-Q	M	A1	B1
ZREQM - 06	280	300	77	95	171	40	50	100	50	4-M6	70	4-M8	57.2	4-M6	9/11/14/17	240	312
ZREQM - 10	280	300	77	95	171	40	50	100	50	4-M6	70	4-M8	57.2	4-M6	9/11/14/17	240	312
ZREQM - 16	316	336	90	99	208	48	63	180	70	4-M8	102	4-M10	69.9	4-M8	11/14/17/22	276	348
ZREQM - 20	316	336	90	99	208	48	63	180	70	4-M8	102	4-M10	69.9	4-M8	11/14/17/22	276	348
ZREQM - 30	341	346	98	93	218	52	63	180	102	4-M10	125	4-M12	88.9	4-M12	14/17/22	301	358
ZREQM - 50	341	346	98	93	218	52	63	180	102	4-M10	125	4-M12	88.9	4-M12	14/17/22	301	358
ZREQM - 60	341	346	98	93	218	52	63	180	102	4-M10	125	4-M12	88.9	4-M12	14/17/22	301	358

**Super Intelligent type ZREQM – 80 ~ ZREQM 230**  
**Super Intelligent type Explosive Proof ZREQM – 80 ~ ZREQM 230**

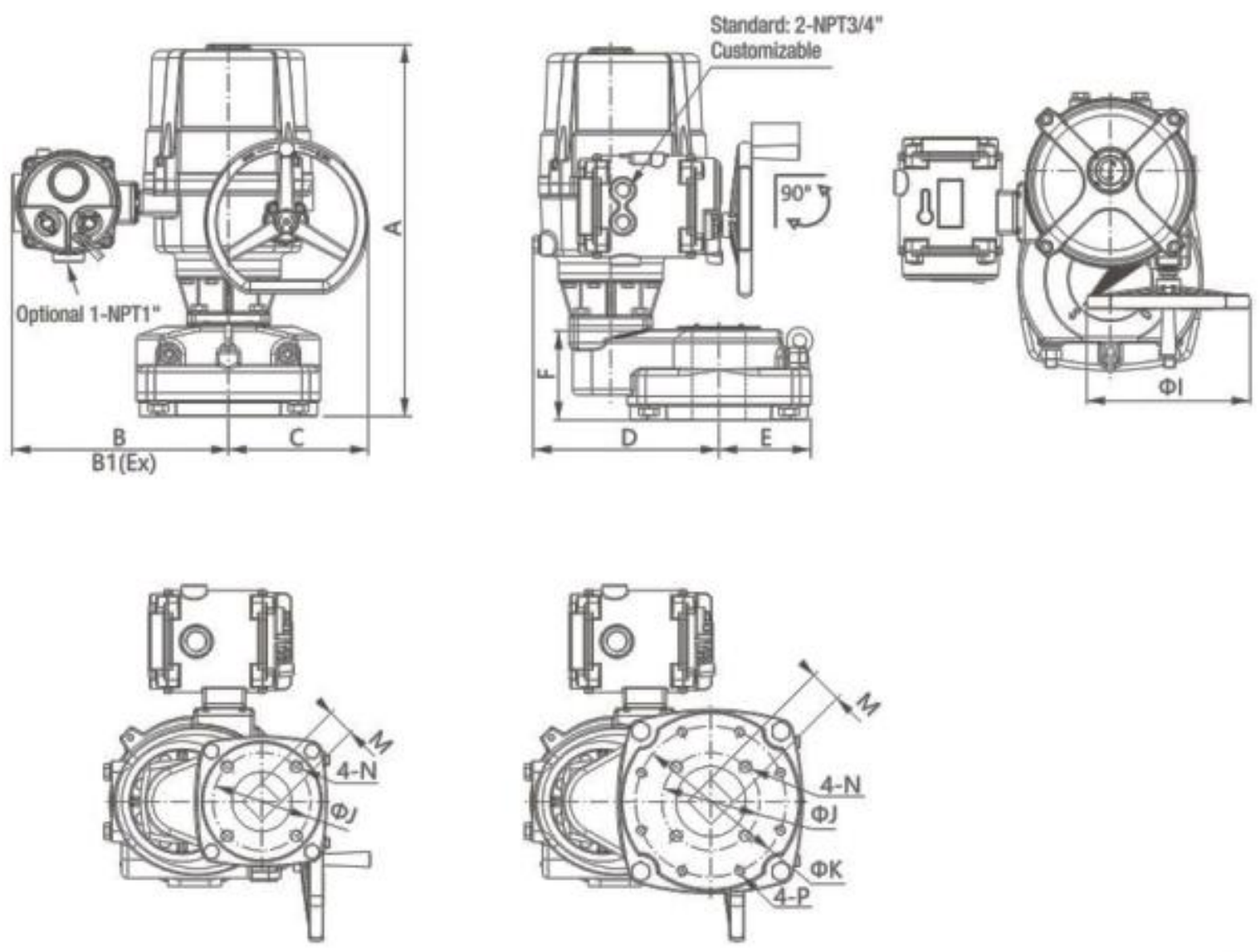


**Explosive Proof**



Model No.	A	B	c	D	E	F	G	ΦI	ΦJ	4-N	ΦK	4-P	ΦL	4-Q	4-0	M	A1	B1	
ZREQM – 80	415	338	212	128	208	58	80	250	102	4-M10	125	4-M12	108	4-M12	F14	17/22/27	375	350	
ZREQM – 100	415	338	212	128	208	58	80	250	102	4-M10	125	4-M12	108	4-M12	Ex-factory Optional	17/22/27	375	350	
ZREQM – 130	415	338	212	128	208	58	80	250	102	4-M10	125	4-M12	108	4-M12		17/22/27	375	350	
ZREQM – 170	458	353	236	146	236	66	80	280								22/27/36	418	365	
ZREQM – 200	458	353	236	146	236	66	80	280								F12(125/4-M12) F14(Φ140/4-M16) F16(Φ165/4-M20)	22/27/36	418	365
ZREQM – 230	458	353	236	146	236	66	80	280									22/27/36	418	365

**Super Intelligent type ZREQM – 350 ~ ZREQM 800**  
**Super Intelligent type Explosive Proof ZREQM – 350 ~ ZREQM 800**



Model.no	A	B	C	D	E	F	G	ΦI	ΦJ	4-N	ΦK	4-P	M	B1 (Ex)
ZREQM - 350	620	353	236	267	110	145	80	280	160	4-M20	F14 Ex-Factory optional		36/46	365
ZREQM - 500	620	353	236	267	110	145	80	280	160	4-M20			36/46	365
ZREQM - 800	627	353	236	315	155	150	80	280	160	4-M20	254	8-M16	46/55	365

# **ZEETORK**

— the Automation & Controls Expert —

## **Zeetork Automation and Control Pte. Ltd.**



**Singapore : 22 Sin Ming Lane, #06-06, Midview City, Singapore -573969**



**India : S.F.No 617/2H2, Vadakku Thottam, Malumichampatti P.O, L&T road,  
Coimbatore - 641021**



**[www.zeetork.com](http://www.zeetork.com)**



**[sales@zeetork.com](mailto:sales@zeetork.com)**