

Data Sheet

Product Name - **Valve Monitor**

Model No - **ZLS600**

Description of the Product

The ZLS910 series flameproof valve monitor is a rotary position indication device. Armed with mechanical switch, this device can sense mechanical position (on/off) of the valve for remote PLC or PC indication. The visual indicator on the top of the device can also clearly display the valve position for local detection.



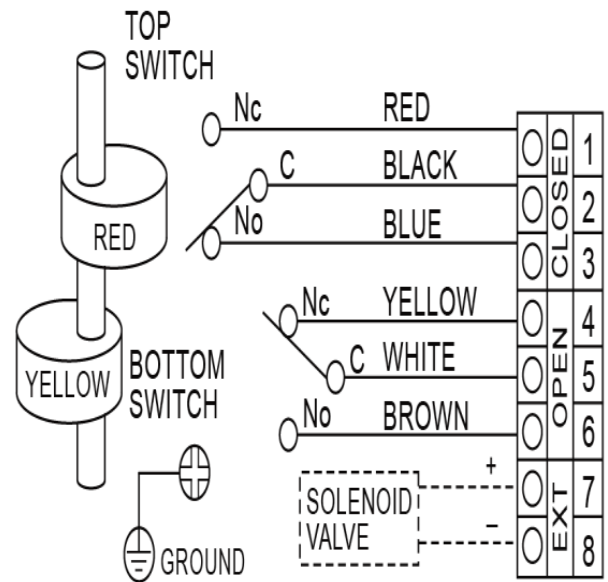
Specification and Technical Data

Enclosure	Aluminium Alloy
O-rings	NBR
Environment	IP67
Fasteners	Stainless steel
Shaft	Stainless steel Namur
Conduit Entries	1/2" NPT, M20x1.5, 3/4" ET
Terminal Block / Connector 45/3	MELAMINE
Ambient Temperature	-20°C-80°C
Mounting Bracket	30 x 80, 130 H:20, 30 (Carbon steel)

Approved By

CE IP67

Wiring Diagram



Switches / Sensors

Honeywell V15 T16/ V19 T16/ V15 T22/ V15 T10
P&F NJ2V3M/CYLINDRICAL 12 X 40 GM/ 18X 40 GM
(16 AMP/125/250 VAC)

Drawing & Dimensions (mm)

